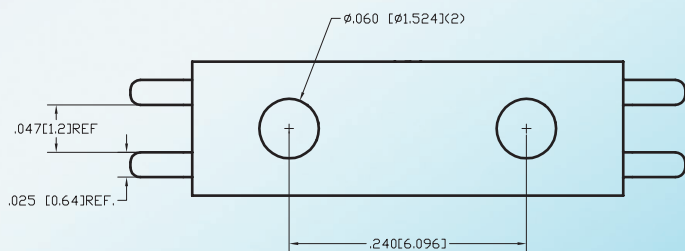
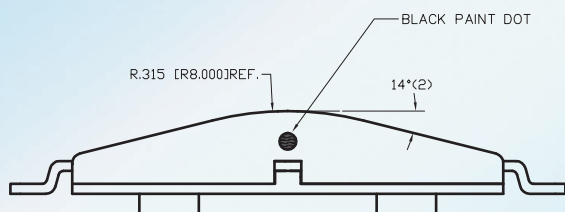
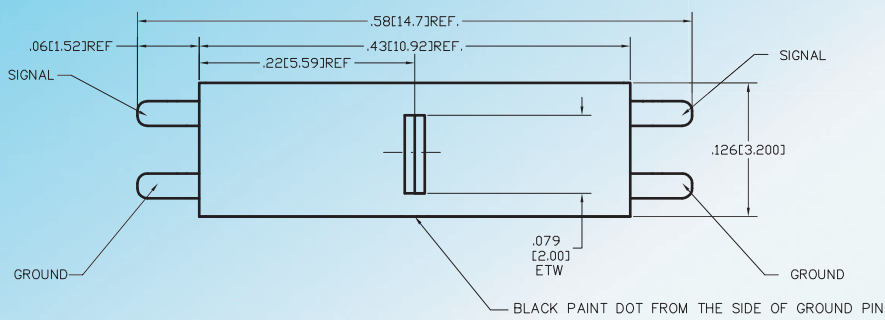
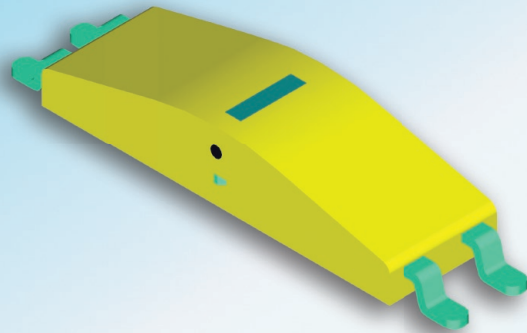


# MAGNETIC HEAD TECHNOLOGIES – BULGARIA

## 1 CH. ULP



Parameter	Units	Value
Inductance: 1kHz/1V	mH	2.8
D.C. Resistance	Ohms	22
I Write (P-P) at 200 FCI	mA	30
U out (P-P) at 200 FCI	mV	1.0
Part. number: SK-20206		