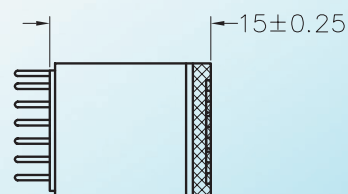
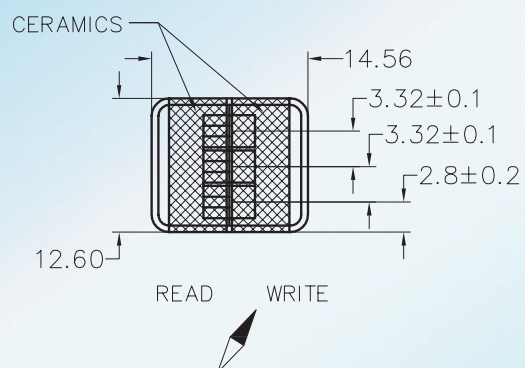
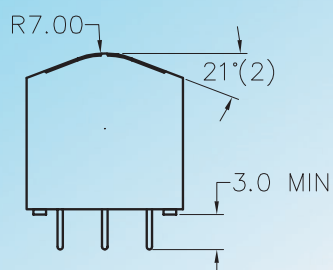
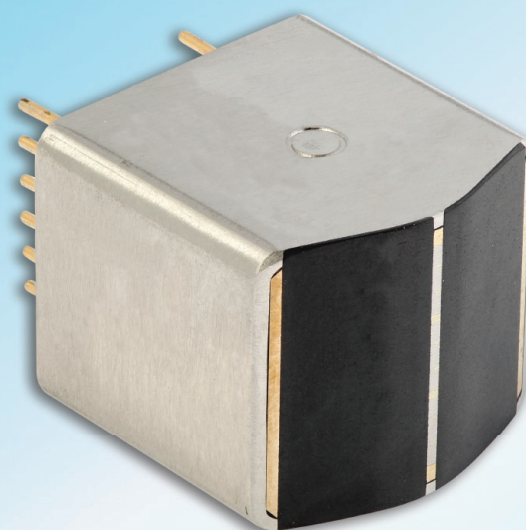


MAGNETIC HEAD TECHNOLOGIES – BULGARIA

3 TRACK HICO/LOCO W/R HEAD



Parameter	Units	Value	
		Read	Write
Inductance @ 1kHz	mH	90	
	mH		K. 1-1.6
	mH		K. 2-1.8
	mH		K. 3-1.5
D.C. Resistance	Ohms	240	4.5
I Write (P-P) HICO	mA	N/A	600
I Write (P-P) LOCO	mA	N/A	50
Read Output (P-P), 75 BPI, HICO	mV	30	N/A
Read Output (P-P), 75 BPI, LOCO	mV	15	N/A
Part. number: H816168			