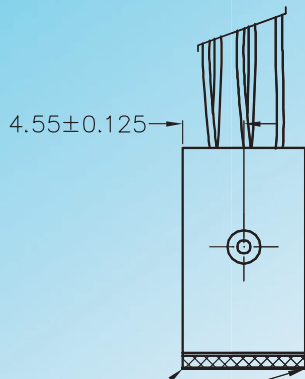
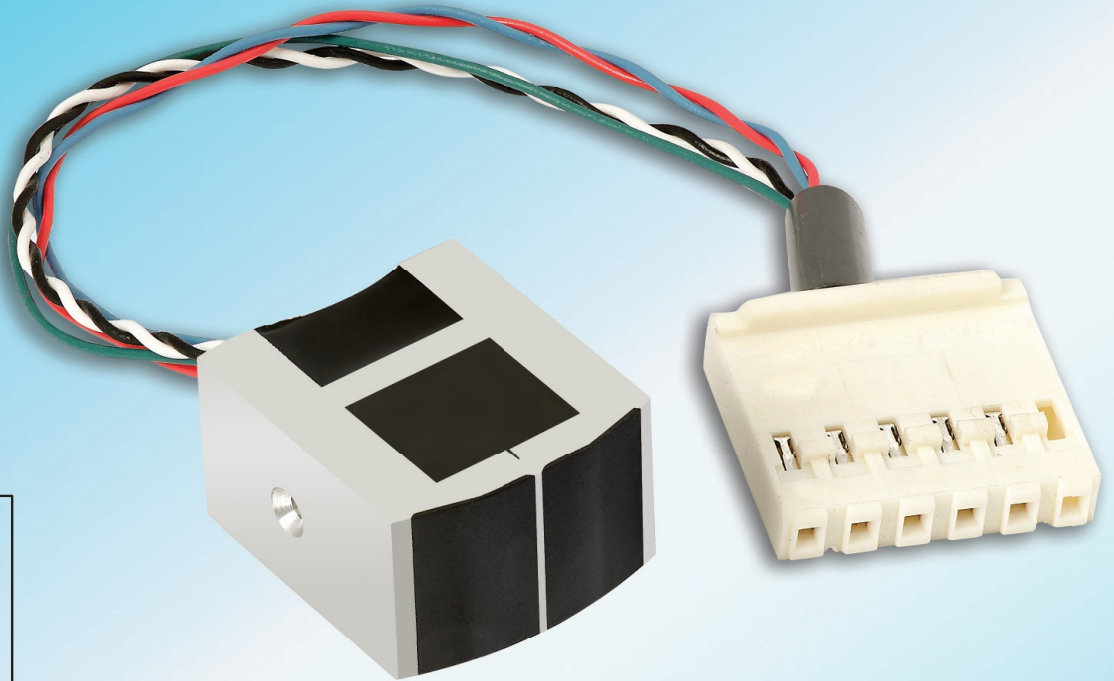
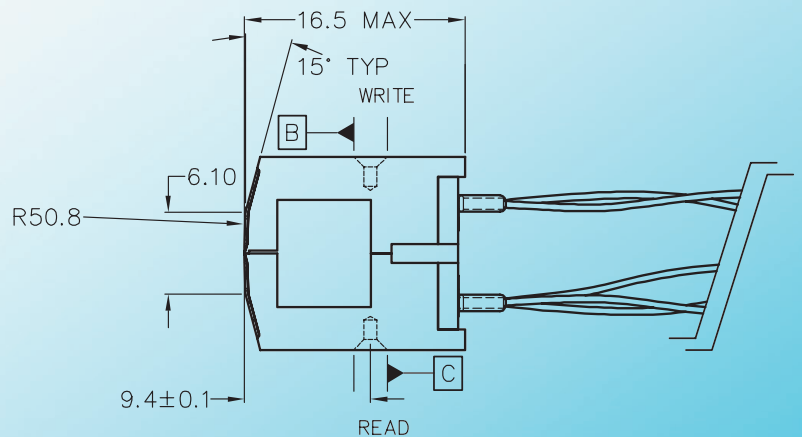
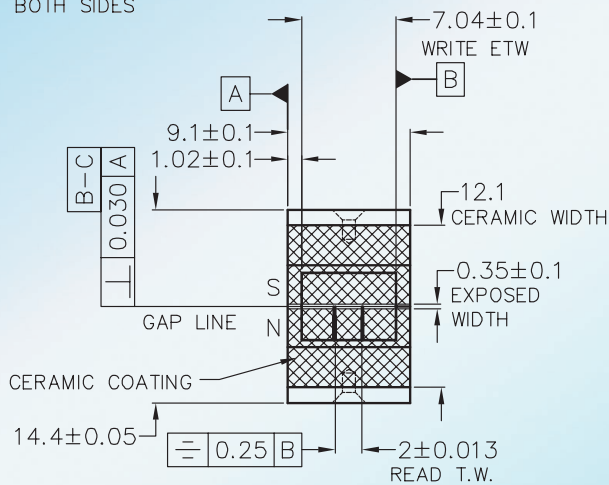


# MAGNETIC HEAD TECHNOLOGIES – BULGARIA

## 1 TRACK CARD HEAD HICO/LOCO, CERAMIC



.127 EDGES BLENDED BOTH SIDES



Parameter	Units	Value	
		Read	Write
Inductance @ 1kHz	mH	160	23
D.C. Resistance	Ohms	220	30
I Write (P-P)	mA	N/A	600 (50)
Read Output AT 210 FCI, 9 IPS (P-P)	mV	73 (25)	N/A
Part. number: H816159			