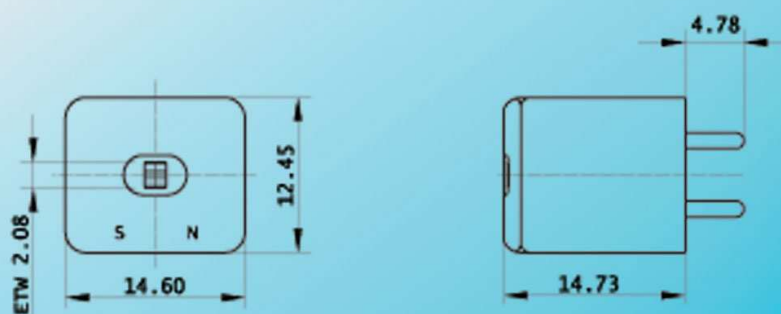
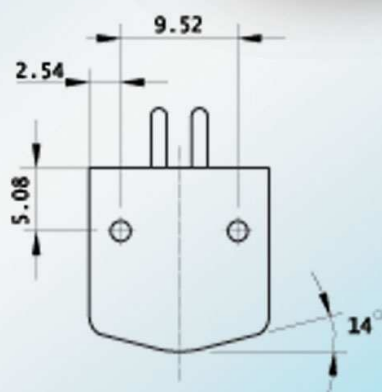


MAGNETIC HEAD TECHNOLOGIES - BULGARIA

1C Card-Reader Read Only



Parameter	Units	Value
Output voltage	mV	32
Write current	mA	N/A
DC resistance	Ohms	2400
Inductance @1 kHz	mH	3200
Part number: C480501		